

Technische informatie:


Ex markering: Ⓜ II 2 G Ex db IIC T6 Gb
Ⓜ II 2 D Ex tb IIIC T85° Db
Geschikt voor zone 1, 2, 21 en 22
Omgevingstemperatuur: $-20^{\circ}\text{C} \leq \text{Ta} \leq 55^{\circ}\text{C}$
Beschermsgraad: IP65
Spanning: 230 VAC / 115 VAC / 12-24 VAC/DC
Geluidsdruk: tot 109 dB(A)
Vermogen: 7 Watt
5 verschillende toonsoorten d.m.v. doorverbinden op interne klemmenstrook
Kabelingang: 1 x 3/4" NPT
Materiaal: koperarm aluminium LM6 (koper<0,05%)
voorzien van epoxy coating RAL 7000, andere RAL kleur behuizing op aanvraag

Conform de standaards IEC60079 en EN60079

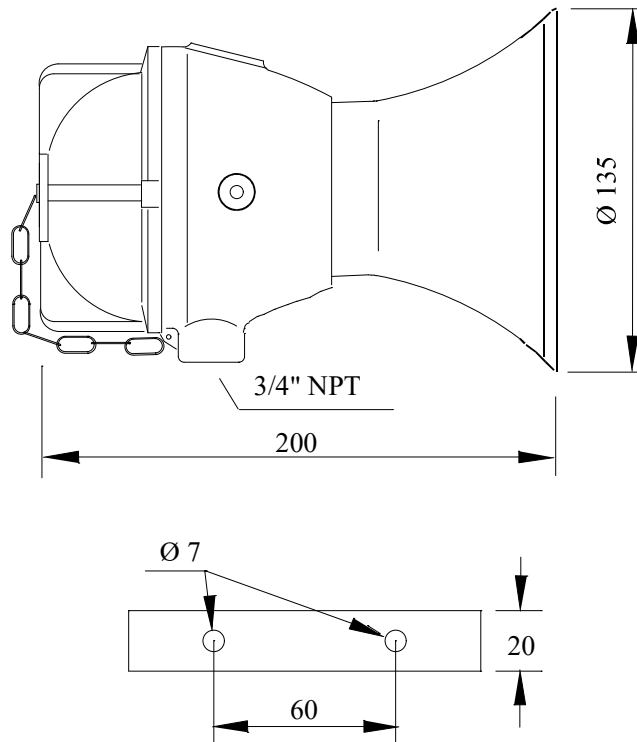
Technical data:

Ex mark: Ⓜ II 2 G Ex db IIC T6 Gb
Ⓜ II 2 D Ex tb IIIC T85° Db
Can be used in zone 1, 2, 21 and 22
Ambient temperature: $-20^{\circ}\text{C} \leq \text{Ta} \leq 55^{\circ}\text{C}$
Degree of protection: IP65
Voltage: 230 VAC / 115 VAC / 12-24 VAC/DC
Soundpressure: Up to 109 dB(A)
Power consumption: 7 Watt
5 different sound types by connection on internal terminalstrip
Cable entry: 1 x 3/4" NPT
Material: copper free aluminium LM6 (copper<0.05%)
with epoxy coating RAL 7000, other RAL colour body on request

Meets the standards IEC 60079 and EN60079

Afbeelding Illustration	Spanning Voltage	Type	Uitvoering Version
	230 VAC 115 VAC 12 - 24 V AC/DC	ETH 12 MW - 230 ETH 12 MW - 115 ETH 12 MW - 24	Bedrading / Wiring Bedrading / Wiring Bedrading / Wiring
	230 VAC 115 VAC 12 - 24 V AC/DC	ETH12 MD - 230 ETH12 MD - 115 ETH12 MD - 24	Dip switches Dip switches Dip switches

Afmetingen Dimensions



Geluidstype Sound type	Geluidsdiagram Sound diagram	Informatie Information	Doorverbinden Wiring
Key-tone		440Hz 0,4 sec. / 554 Hz 0,1 sec.	Geen doorverbindingen / no wiring
Yelp		650 ... 1600 Hz. snel (fast)	Klem (terminal) : 1-2
Wail		650 ... 1600 Hz. langzaam (slow)	Klem (terminal) : 1-3
Temp. slow whoop		554 Hz. 1 sec on, 1 sec. off	Klem (terminal) : 1-4
Horn		Continue (Continuous) 554 Hz.	Klem (terminal) : 1-5

Voeding
Power supply



Klemmen voor signaalkeuze
Terminals for sound selection

Type ETH 12 MW



Type ETH 12 MD

Voeding
Power supply

	Geluidstype Sound type	Geluidsdruk Soundpressure	Dipswitches
1	Evacuation France	554 Hz - 0.1 sec / 440 Hz 0.4 sec	○ ○ ○ ○ ○ ○
2	Yelp	560 Hz - 1600 Hz - fast	● ○ ○ ○ ○ ○
3	Wail	560 Hz - 1600 Hz - slow	○ ● ○ ○ ○ ○
4	Intermittent tone	554 Hz - 1 sec. on / 1 sec. off	● ● ○ ○ ○ ○
5	Continuous	554 Hz Continuous	○ ○ ● ○ ○ ○
6	Continuous - Toxic Gas	1000 Hz Continuous	● ● ○ ○ ○ ○
7	Interrupted - General alarm	1000 Hz - 1 sec. on / 1 sec. off	○ ● ● ○ ○ ○
8	ISO 8201 - International Evacuation alarm	800 Hz - 1000 Hz - 1 sec. on / 1 sec. off	● ● ● ○ ○ ○
9	PAPA - Evacuation Germany	1200 Hz - 500 Hz - 1 sec. sweep	○ ○ ○ ● ○ ○
10	NEN2575 - 2000 / Dutch slow whoop	500 Hz - 1200 Hz - 3.5 sec. sweep / 0.5 sec. off	● ● ○ ○ ○ ○
11	Fire alarm	800 Hz - 0.5 sec. / 1000 Hz - 0.5 sec.	○ ● ○ ● ○ ○
12	Alarm Singapore	1000 Hz - 0.5 sec. / 2000 Hz - 0.5 sec.	● ● ● ○ ○ ○
13	Emergency alarm	1000 Hz - 7 times 1 sec. on / 1 sec. off -- 7 sec. on, 1 sec. off	○ ○ ● ● ○ ○
14	NFPA Whoop	422 Hz - 775 Hz- 3 x 0.85 sec. sweep - 1 sec. off	● ● ● ○ ○ ○
15	Apollo fire alert tone	970 Hz - 1 sec. on / 1 sec. off	○ ● ● ● ○ ○
16	Apollo fire evaluation tone	970 Hz - 0.5 sec. / 630 Hz - 0.5 sec	● ● ● ● ○ ○
17	Alert	500 Hz - 1200 Hz. - 3.75 sec.sweep / 0,5 sec. off	○ ○ ○ ● ○ ○
18	As1670 Alert Australia	420 Hz - 0.625 sec. on / 0.625 sec. off	● ● ○ ○ ○ ○
19	As1670 Evacuation tone	500 Hz - 1200 Hz - 3.75 sec sweep / 0,25 sec off	○ ● ○ ○ ○ ○
20	Continuous note	340 Hz Continuous	● ● ● ● ○ ○
21	Continuous note	400 Hz Continuous	○ ○ ● ● ○ ○
22	Continuous note	660 Hz Continuous	● ○ ● ● ○ ○
23	Continuous note	750 Hz Continuous	○ ○ ● ● ○ ○
24	Continuous note	840 Hz Continuous	● ● ● ● ○ ○
25	Continuous note	1200 Hz Continuous	○ ○ ○ ● ○ ○
26	Continuous note	1480 Hz Continuous	● ○ ○ ● ○ ○
27	Intermittent tone	770 Hz - 1 sec. on / 1 sec. off	○ ○ ● ● ○ ○
28	Intermittent tone	550 Hz - 0.33 sec / 1000 Hz - 0.7 sec.	● ● ● ● ○ ○
29	Simulated Bell		○ ○ ● ● ○ ○
30	3xOn/off - Silence 3xOn/Off - silence	970 Hz - 3 x 0.5 sec. on / 0.5 sec. off - 1,5 silence	● ○ ● ● ○ ○
31	Continuous note	440 Hz Continuous	○ ○ ● ● ○ ○
32	Continuous note	700 Hz Continuous	● ● ● ● ○ ○