

## Wandventilatoren Ex d Helicoidal ventilators Ex d

### Technische informatie:

Ex markering: Ⓜ II 2 G Ex h IIB+H<sub>2</sub> T4 Gb  
 Geschikt voor zone 1 en 2  
 Omgevingstemperatuur: -20°C ≤ Ta ≤ 40°C  
 Beschermingsgraad: IP20  
 Spanning: 230 VAC / 3x400 VAC  
 Kabelingang: 1 stuks 1/2" NPT  
 Materiaal behuizing en rooster: staal met anti-corrosie epoxy coating  
 Materiaal ventilatorblad: ABS

Conform de standaards: EN60079

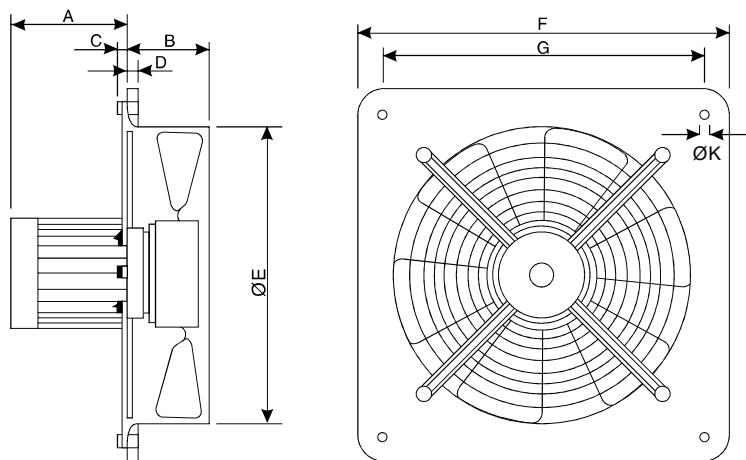
### Technical data:

Ex mark: Ⓜ II 2 G Ex h IIB+H<sub>2</sub> T4 Gb  
 Can be used in zone 1 and 2  
 Ambient temperature: -20°C ≤ Ta ≤ 40°C  
 Degree of protection: IP20  
 Voltage: 230 VAC / 3x400 VAC  
 Cable entry: 1 pcs. 1/2" NPT  
 Material body and grille: steel with anti-corrosion epoxy coating  
 Material fan: ABS

Meets the standards: EN60079

Afbeelding Illustration	dB(A) 2 mtr	Spanning Voltage	Capaciteit m <sup>3</sup> /h Capacity m <sup>3</sup> /h	Vermogen Power	Type
	55	230 VAC	900	120 Watt	HT3-EB-254MEX
	59	230 VAC	1500	140 Watt	HT3-EB-304MEX
	62	230 VAC	2250	160 Watt	HT3-EB-354MEX
	65	230 VAC	2900	180 Watt	HT3-EB-404MEX
	70	230 VAC	4500	210 Watt	HT3-EB-504MEX
	55	3x400 VAC	900	100 Watt	HT6-EB-254TEX
	59	3x400 VAC	1500	125 Watt	HT6-EB-304TEX
	63	3x400 VAC	2250	150 Watt	HT6-EB-354TEX
	66	3x400 VAC	2900	180 Watt	HT6-EB-404TEX
	72	3x400 VAC	4500	230 Watt	HT6-EB-504TEX

### Afmetingen Dimensions



Type	A	B	C	D	ØE	F	G	ØK	Gewicht Weight kg
HT3-EB-254MEX	205	70	9	8	260	340	290	7	10
HT3-EB-304MEX	205	70	9	10	312	390	340	9	10
HT3-EB-354MEX	205	85	10	12	365	460	410	9	11
HT3-EB-404MEX	205	85	10	12	415	510	460	9	12
HT3-EB-504MEX	205	90	10	15	515	630	580	11	14
HT6-EB-254TEX	205	70	9	8	260	340	290	7	9
HT6-EB-304TEX	205	70	9	10	312	390	340	9	9
HT6-EB-354TEX	205	85	10	12	365	460	410	9	10
HT6-EB-404TEX	205	85	10	12	415	510	460	9	11
HT6-EB-504TEX	205	90	10	15	515	630	580	11	13