



## Product manual Volt- and Ammeter Z0205



INDEX ELEKTRO BV  
Harregatplein 15  
3214 VP Zuidland  
Netherlands



T. +31(0)181 452120  
[www.indexelektro.nl](http://www.indexelektro.nl)  
email [info@indexelektro.nl](mailto:info@indexelektro.nl)

Rev. Z0205-210817



## Purpose of these instructions

Working in hazardous areas, the safety of personnel and plant depends on complying with all relevant safety regulations. Assembly and maintenance staff working on installations therefore have a particular responsibility. They require precise knowledge of the applicable standards and regulations.

These instructions give a brief summary of the most important safety measures. It supplements the corresponding regulations which the staff must study.



## SAFETY INSTRUCTIONS

- Use the explosion-proof signal lamp with button module only for its intended purpose
- Incorrect or impermissible use or non-compliance with these instructions invalidates our warranty provision.
- No changes to the device impairing its explosion protection are permitted.
- Use the Volt- and Am-meter only if they are clean and undamaged.
- Any damage can invalidate the Ex-protection.
- Observe the following during installation and operation:
  - \* National safety regulations;
  - \* National accident prevention regulations;
  - \* National installation regulations(e.g. IEC 60079-14);
  - \* Generally recognized technical regulations;
  - \* Safety guidelines in these operating instructions;
  - \* Characteristic values given on the volt- and ammeter.

## Conformity to standards

The explosion-proof switch module is designed and manufactured according to standard of ISO 9001. The explosion-proof switch module is conformity to the directive 94/9/EC, ATEX and the following standards:

IEC60079-0 : 2011	EN60079-0 : 2012
IEC60079-7 : 2006	EN60079-7 : 2007
IEC60079-18 : 2009	EN60079-18 : 2009

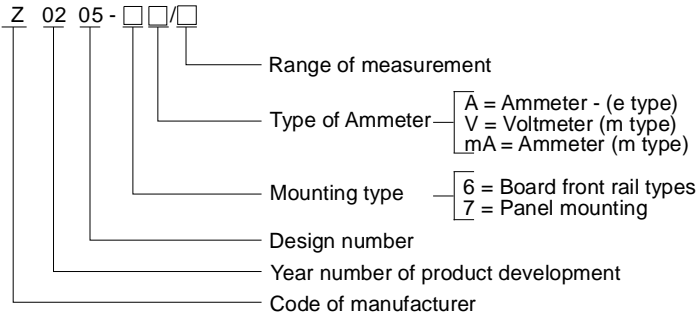
## Applicable scope

The series products is suitable for use in industrial control circuits. The series product can be used in zone 1 and zone 2.



## Model and implication

Explosion-proof Ammeter Module



## Technical data

Ex mark:

Ⓜ II 2G Ex e mb IIC Gb (Z0205 - □V/□, Z0205- □mA/□)

Ⓜ II 2G Ex e IIC Gb (Z0205 - □A/□)

- Test certificate CML 17 ATEX 3325U - IECEx-CML-17.0176U-0-1

- Structure of Ammeter - Electromagnetism type

- Insulation resistance: > 20M.Ohm

- Range of measurement:

\* Ammeter (e type): 0~1A / 0~5A / 0~10A AC:50/60Hz.

\* Voltmeter (m type): 0~10V / 0~25V / 0~40V / 0~50V / 0~100V / 0~120V / 0~150V / 0~250V / 0~500V AC 50/60Hz.

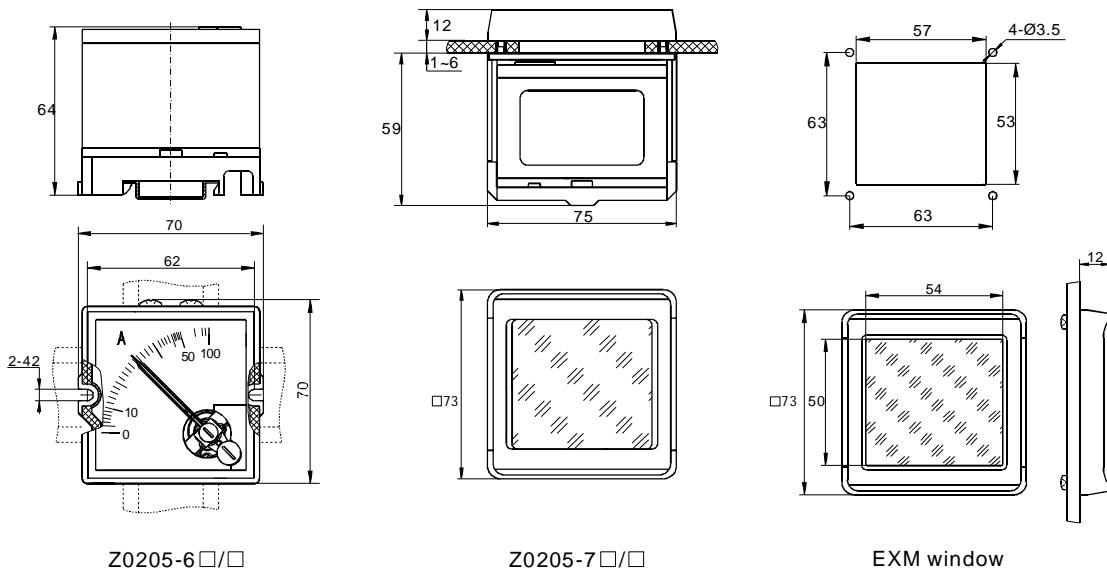
\* Ammeter (m type): 0~20 mA / 4~20mA - DC / AC 50/60Hz.

- Connection terminals 2,5 mm<sup>2</sup>

- Ambient temperature: -40°C ~ +95°C

- Mounting type: TS35\*7,5 rail or bolt fixed

## Dimensions





## Operation/installation

- Transport and storage in original packaging only. National safety and installations regulations and the generally accepted rules of engineering practice must be observed when mounting and operating this equipment.
- For the sake of ensuring normal operation and safety, user must abide by the following provisions:
  - \* Volt- and Ammeter are designed to be used under the following atmospheric conditions:
    - The pressure is 80kPa (0.8bar)~110kPa (1.1bar)
    - The volume ratio of standard oxygen content is 21% air.
- Volt- and Ammeter are suitable for use in hazardous areas, zones 1 and 2.
- The product should be enclosed in explosion-proof enclosure which is fitted to the environment
- Suggested tightening torque of wiring bolt: 1.2Nm
- Suggested tightening torque of EXM ammeter frame bolt: 1.1Nm.
- The module mounting should be firm and reliable.
- The Volt- and Ammeter must be provided with overcurrent protection.

## Spare parts

- Use only original spare parts as well as original accessories made by INDEX ELEKTRO BV.

## Repairs / Maintenance

- Observe the relevant national regulations for your country!
- Only parts from our company that can be used to replace or maintain, and the operation should be carried out by professional electrician!
- The following points must be checked during maintenance:
  - \* Compliance with permitted temperatures;
  - \* Check if there is any crack in the Volt- or Ammeter;
  - \* Check if the product has been fixed reliably.
  - \* Check if the wiring is loose.

## Recycling / Disposal

- The respective valid national regulations for waste disposal shall be observed when disposing of apparatus!
- We are pleased to answer any questions. In this case you can contact INDEX ELEKTRO BV.